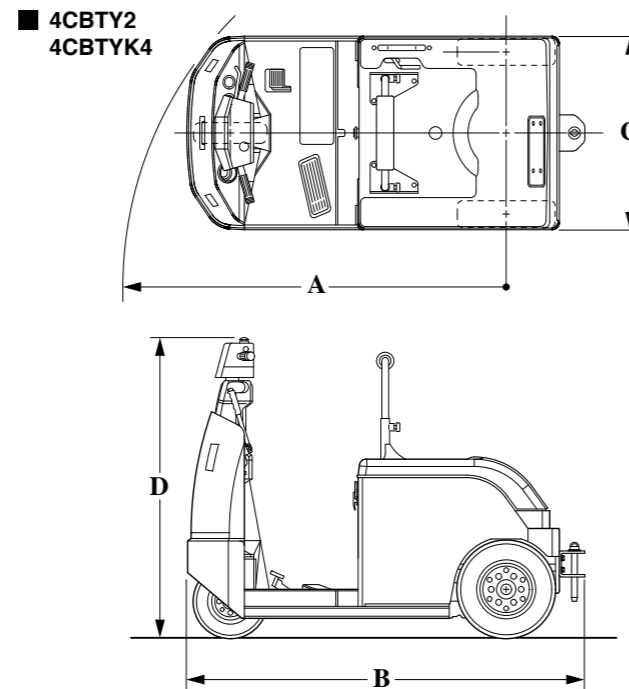
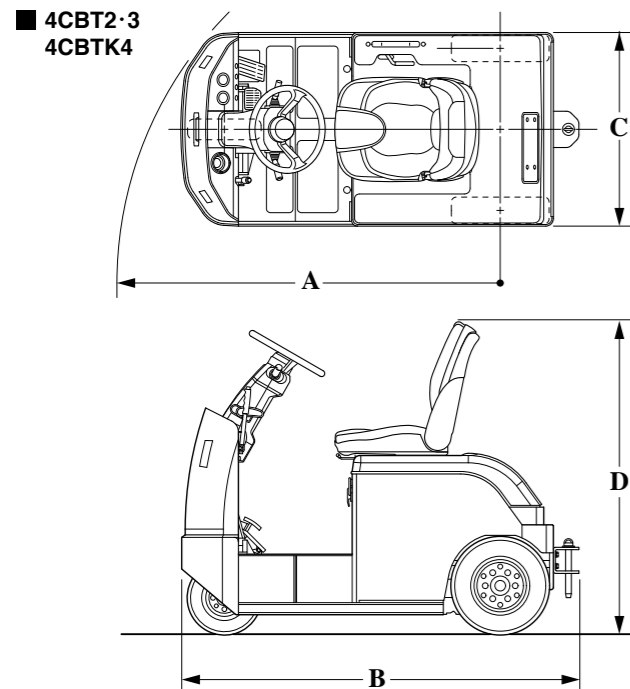


MAIN SPECIFICATIONS

Model			4CBT2	4CBT3	4CBTK4	4CBTY2	4CBTYK4	
Operator Position			Sit-down			Stand-up		
Maximum Drawbar Pull	3-Minute Ratings	N(kgf)	2,000(200)	3,000(300)	4,000(400)	2,000(200)	4,000(400)	
Towed Weight	60-Minute Ratings	kg	2,000	3,000	4,000	2,000	4,000	
Maximum speed	No load (Towed load)	km/h	13 (9)		13 (8)	13 (9)	13 (8)	
Gradeability	No load (Towed load)	3-Minute Ratings	%	14 (5)	14 (7)	14 (8)	14 (5)	14 (7)
A	Turning Radius (Outside)		mm	1,600		1,600		
B	Overall Length	w/ Hitch	mm	1,645		1,645		
		w/o Hitch	mm	1,540		1,540		
C	Overall Width		mm	800		800		
D	Overall Height		mm	1,310		1,240		
Tires	Type		Pneumatic tires			Pneumatic tires		
	Size Front / Rear		3.50-5-6PR / 4.00-8-6PR			3.50-5-6PR / 4.00-8-6PR		
Battery (STD)	Voltage/Capacity	5-hour ratings	V/AH	48 / 129	48 / 220	48 / 129	48 / 220	
Electric Motor	Drive	kW	AC 2.3					
Control Type	Transistor Inverter							

The label on the side frame indicates the following things. T: towing, Y: stand-up type (without Y: sit-down type), Number: towing capacity



The data in this brochure is determined based on our standard testing condition.  
The performance may vary depending on the actual specification and condition of the vehicle as well as the condition of the operating area.  
Availability and specifications depend on market and are subject to change without notice.  
Due to photography and printing, color of actual vehicle may vary from this brochure. Some photos have been computer-enhanced.  
Please consult your Toyota representative for details.  
Photographs may include optional equipment.



Website



YouTube

All rights reserved by Toyota Industries Corporation.

# 4CBT/4CBTY

## SERIES



TOYOTA MATERIAL HANDLING INTERNATIONAL

CAT.4CBT(Y)2,3/4CBT(Y)K4-2210/©/Printed in Japan/No.711190E0/300



# Make Your Distribution System Streamlined & Efficient!

Do you want to transport large loads in an efficient manner?  
 Do you want to make the parts-distribution process easier?  
 Do you want to make point to point hauling more efficient and comfortable?

This is what the TOYOTA Towing Tractor 4CBT/4CBTY series gives you!  
 Our state-of-the-art technology, such as the powerful AC power system, makes your distribution operation easier, more efficient and comfortable than ever!



Transporting a wide variety of materials.

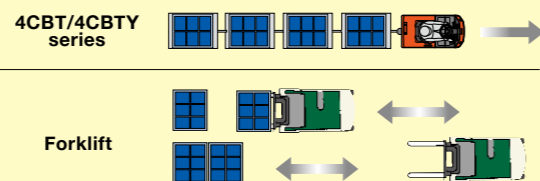
Just in time parts distribution to assembly lines.

Efficient and comfortable point to point hauling.



## Drastic reduction in transporting time

The 4CBT/4CBTY series can transport large quantities of materials at once. Compare the performance to a forklift, and you will discover the best transporting solution for all your needs.



Large loads at once

One by one

## Superior Power in Compact Design

The compact body has made working in narrow spaces easier than ever! Yet, with AC power, it has amazing capacity to transport loads of up to 4 tons.



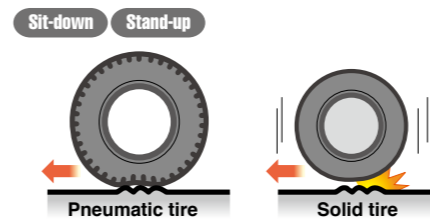
## Operator Friendly

Many convenient features and smooth acceleration/deceleration with the AC power system supporting comfortable & ease of operation.



### Pneumatic tires

Provide a comfortable ride and decreases the fatigue of long-distance hauling.



### Clear drawbar visibility

The unique battery hood design enables the operator to have a clear view of the drawbar from the operating position.



### Rear-drawbar lever type (OPT)

Enables the operator to operate the drawbar from the operating position.



### Maximum speed limit switch

Enables the maximum speed limit to be selected from 5 levels. Select the one that best suits your own working environment.



### Hip support (OPT)



## Helps to Prevent Accidents

### Operator Presence Sensing System

This system uses a switch sensor to detect the presence of the operator. If the operator is not in the normal operating position, travel power is automatically interrupted.\*

\*Always set the parking brake before leaving the tractor unattended.



## Ideal for Long Operation



With our newly developed AC motor and high capacity battery, only one charging gives the power to operate for long periods.

Battery Voltage Capacity	4CBTY2 / 4CBT2-3	4CBTK4 / 4CBTK4
	48V 129AH	48V 220AH

Sit-down Stand-up



Battery roll-out (OPT)  
 Makes battery replacement easier.

Sit-down Stand-up

Battery stopper  
 The battery lock lever must be secured for operation.

