

# Order picking truck 1.2 ton



**BT optio**

*L-series*

OSE120

OSE120P



# Order picking truck

Truck specifications					OSE120	OSE120P
Identification	1.1	Manufacturer			Toyota	Toyota
	1.2	Model			OSE120	OSE120P
	1.3	Drive			Electric	Electric
	1.4	Operator type			Stand on	Stand on
	1.5	Load capacity/rated load	Q	kg	1200	1200
	1.6	Load centre	c	mm	1200	1200
	1.8	Load distance, back of fork to bogie wheel centre, short/long support arms	x	mm	858/973	858/973
	1.9	Wheelbase				
		short support arms, short/long chassis	y	mm	2042/2128	2042/2128
	long support arms, short/long chassis	y	mm	2157/2243	2157/2243	
Weight	2.1	Service weight without battery, short/long chassis		kg	1184/1263	1254/1333
	2.2	Axle load, with load, drive/castor/fork wheels				
		short chassis		kg	798/302/913	798/302/913
		long chassis		kg	725/110/1138	725/110/1138
2.3	Axle load, without load, drive/castor/fork wheels					
	short chassis		kg	545/407/246	545/407/246	
	long chassis		kg	562/395/300	562/395/300	
Wheels	3.1	Drive / castor / fork wheels			Polyurethane	Polyurethane
	3.2	Wheel size, front		mm	Ø 250 x 75	Ø 250 x 75
	3.3	Wheel size, rear		mm	Ø 85 x 74	Ø 85 x 74
	3.4	Additional wheels, dimensions		mm	Ø 150 x 78	Ø 150 x 78
	3.5	Wheels, number front / rear ( x =driven wheels)			1x+ 1/4	1x+ 1/4
Dimensions	4.2.1	Overall height	$h_{15}$	mm	1370	1370
	4.4	Lift	$h_3$	mm	715	715
		Lift height	$h_{23}$	mm	800	800
	4.8	Stand height, min./max.	$h_7$	mm	138	138/980
	4.15	Height, fork lowered	$h_{13}$	mm	85	85
	4.19	Overall length, short/long chassis	$l_1$	mm	2556/2642	2556/2642
	4.20	Length to face of forks, short/long chassis	$l_2$	mm	1406/1492	1406/1492
	4.21	Overall width	$b_1$	mm	790	790
	4.22	Fork dimensions	s/e/l	mm	70/180/1150	70/180/1150
	4.25	Width over forks	$b_5$	mm	520-570	520-570
	4.31	Ground clearance	$m_1$	mm	23	23
	4.34	Aisle width for pallets 800 x 1200 lengthways	$A_{st}$	mm	2813	2813
	4.35	Turning radius				
short support arms, short/long chassis		$W_a$	mm	2271/2357	2271/2357	
	long support arms, short/long chassis	$W_a$	mm	2386/2472	2386/2472	
4.44	Clear width driver compartment entrance	$l_{24}$	mm	450	450	
Performance data	5.1	Travel speed, with/without load		km/h	8/12	8/12
	5.2	Lift speed, with/without load		m/s	0,13/0,15	0,13/0,15
	5.3	Lowering speed, with/without load		m/s	0,22/0,18	0,22/0,18
	5.8	Max. gradeability, with/without load <sup>1)</sup>		%	5/5	5/5
	5.10	Service brake			Electromagnetic	Electromagnetic
Electric motor	6.1	Drive motor rating S2 60 min		kW	2,8	2,8
	6.2	Lift motor rating S3 7%		kW	2,0	2,0
	6.4	Battery voltage, nominal capacity $K_s$		V/Ah	24/620	24/620
	6.5	Battery weight, min./max.		kg	239-501	239-501
	6.6	Energy consumption acc to VDI cycle <sup>2)</sup>		kWh/h		
Other	8.1	Type of drive control			BT Powerdrive	BT Powerdrive
	8.4	Sound level at the driver's ear according to EN 12 053		dB(A)	60	60

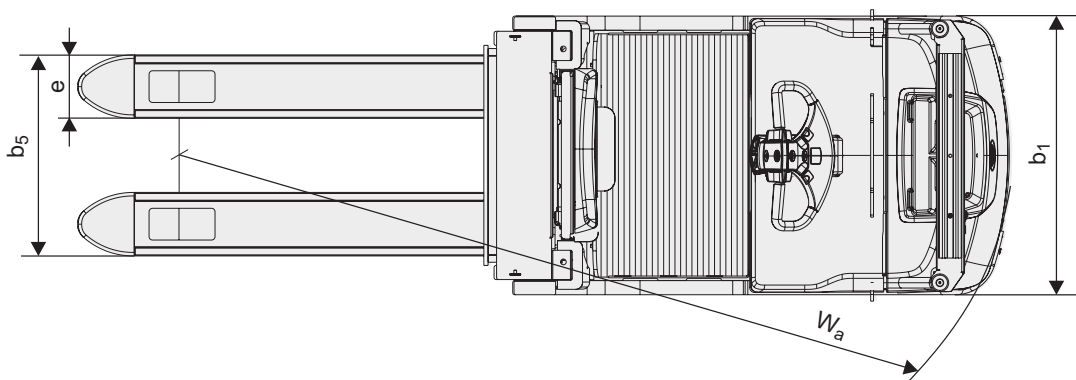
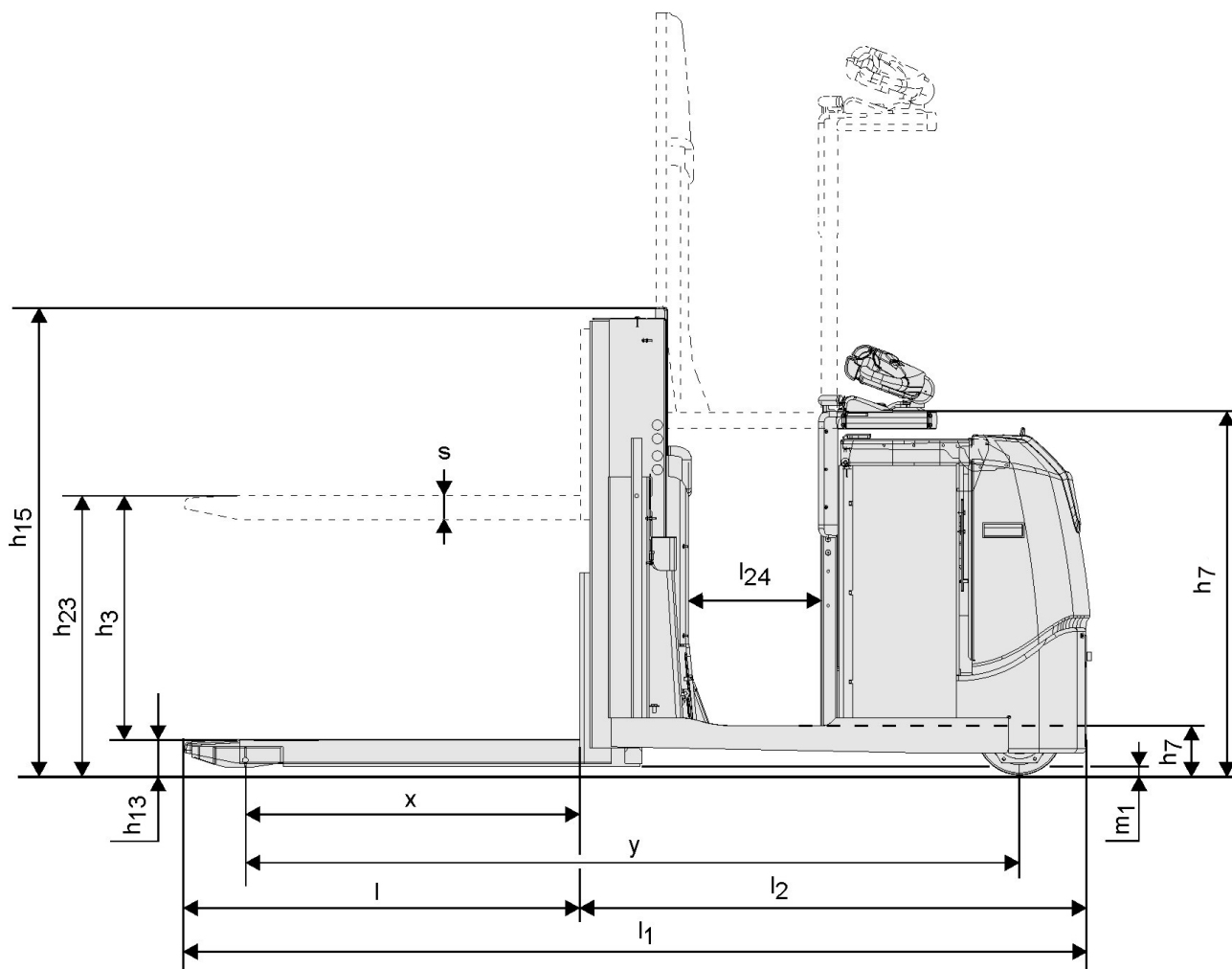
1) Measured according to company standard.

2) Contact your supplier for information.

All data are based on table configuration. Other configurations may give other values.

Truck performance and dimensions are nominal and subject to tolerances.

Toyota Material Handling Manufacturing Sweden AB products and specifications are subject to change without notice.



---

## Truck features:

- High performance models
- High capacity, high lifting forks
- BT E-man steering concept
- Low step-in
- BT Powerdrive system
- Sensi-platform lift
  - including elevating controls (P-model)
- Integrated shrink film holder
- Streamlined administration
  - E-bar concept (option)
- Frequency adapted suspension (option)

